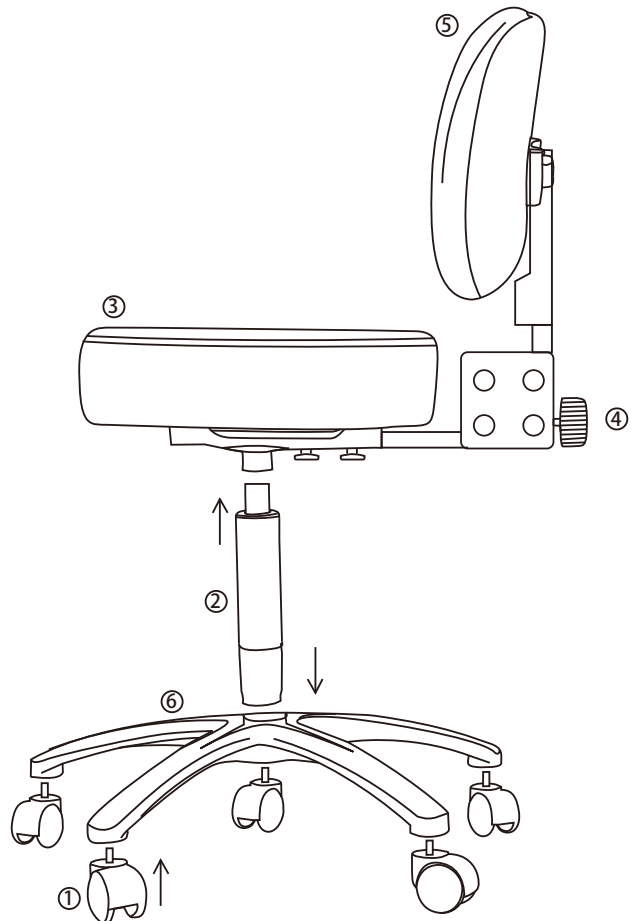
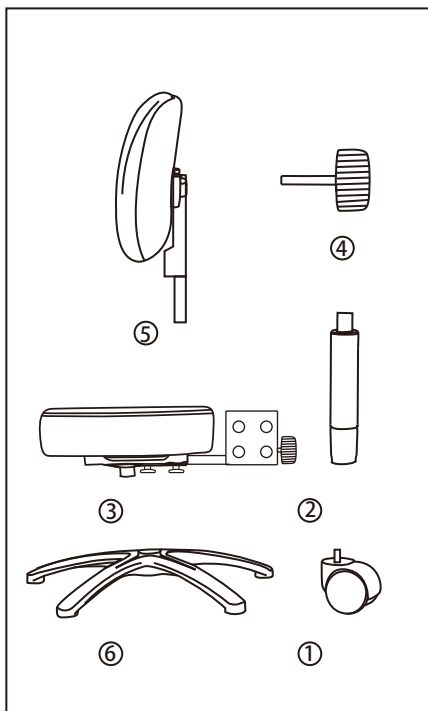


Pneumatic Therapy Stool with Backrest

081505874 Black

081505882 Imperial Blue

1. Insert the five casters into the stool base.
2. Insert the pneumatic gas spring into the base.
3. Place the stool seat on the gas spring. Sit on the stool to secure seat to gas spring.
4. Push upward on the gas spring lift handle to adjust the height of the stool.



CAUTION: Do not stand on this product because serious injury could occur. Manufacturer and distributor are not responsible for injury or damage due to improper assembly and use of this product.

Manufactured for:
Performance Health Supply, Inc.
W68 N158 Evergreen Blvd.
Cedarburg, WI 53012
1-800-323-5547
www.performancehealth.com

WARRANTY

This item is guaranteed to be free from defects in material and/or workmanship under normal use and service for a period of one year from date of purchase. The above guarantee is null and void if unauthorized repair and/or modification is performed on the unit.