

▲ Caution

1. Don't irradiate skin for a long time, which is harmful to human body.
2. Don't direct the eyes, causing injury.
3. Eyes would be hurt by seeing the light directly.



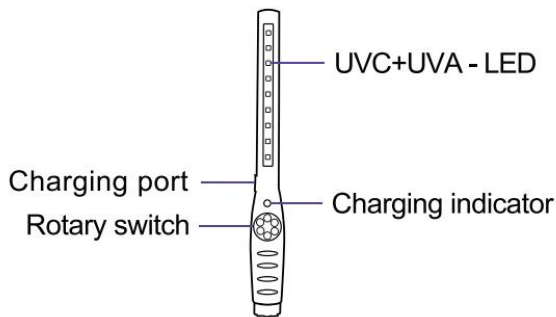
UV Portable Sterilizer

User Manual



To ensure proper operation, please read this Instruction Manual carefully before using this product. Keep this manual in a safe place for future reference.

Product Diagram

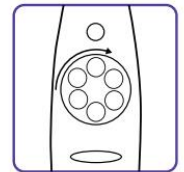


Product Descriptions

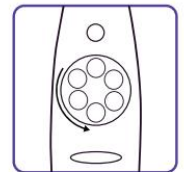
Product Name	UV Portable Sterilizer
Product Model	QBA-05
Working Voltage	USB 5V
Working Current	1A Max
LED	UV3535 6V 2W
Wavelength	270-280nm
Single Size	357×40×35mm
Weight	134g

Steps for usage

1. Turn the rotary switch clockwise, the LED indicator light will turn on and the UV lamp will begin to work; Move the Sterilizer slowly, keep the distance 5cm for 10-20 seconds and repeat it for two or three times with better effect.



2. Turn the rotary switch counterclockwise, the UV light will be turned off and stops working.



3. Insert the USB cable into the charging port, the red light will start charging, and the light turns to GREEN after full charge.

